

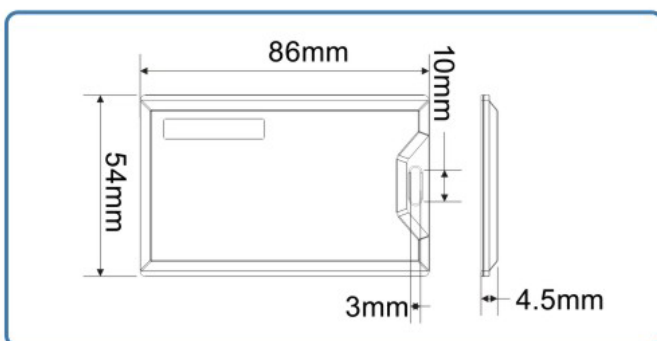
# STA-T505 Active Tag

STA-T505 Active Tag operates in 2.45 Ghz band which can be worn or mounted on vehicle wind shield. It can be widely used in schools & corporation personnel management & positioning, automatic vehicle identification, parking management, highway toll collection and so on.



## Functions

- Exclusive low- power consumption, longer working time
- Permanent 4-byte basic ID support
- Active operating model(read only)
- PVC plastic shell, high-tension, waterproofing IP67



## Specifications

RF Parameters	
Operating Frequency	2.4-2.48GHz
Output Power	-6dBm
Basic Parameters	
Basic ID	4-byte
Operating Mode	Active operating mode
Signal Interval	500ms/time(can be customized)
Battery Life	6-year life (related with the operating mode and output power)
Reading Distance	0-150M (operating with SAAT-F526, test under open environment)
Mechanical & Electrical performance	
Dimensions	85mm × 55mm × 4.5mm(L×W×H)
Weight	22g
Operating Temperature	-40°C~+60°C
Storage Temperature	-60°C~+80°C
Humidity	5%~95%(non-condensing)
IP Rating	IP67
Shock Resistance	10~2000Hz, 20mm/15g, triaxial

## STALLION SYSTEMS AND SOLUTIONS PVT. LTD.

Stallion House, Paadam Stop, K.P.Vallon Road, Kadavanthra, Kochi-682 020.

Phone : +91 484 2314592, 2312986, 2310224, 2320161, 2320162 Fax: +91 484 2313108.

E-mail : sales@stallionindia.com